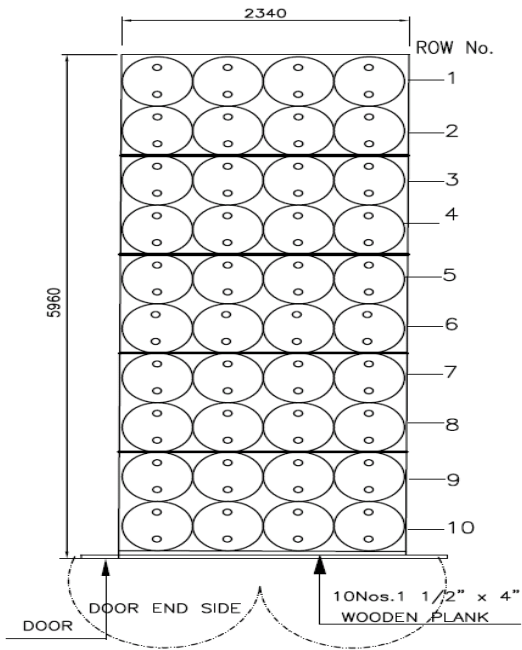
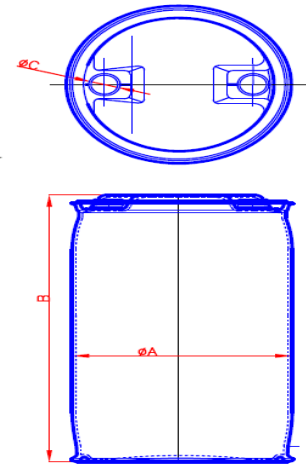


Stuffing plan for 250ltr drums into 20ft / 6m General Purpose container



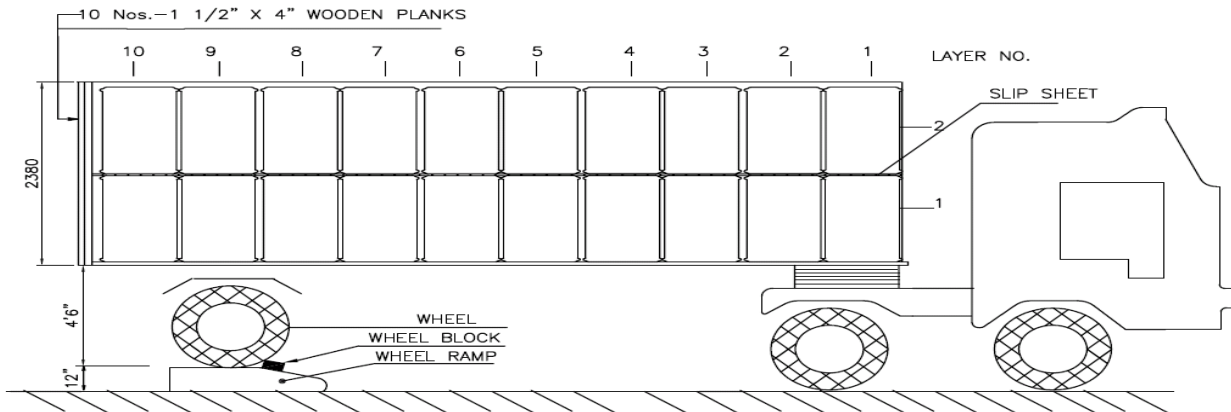
DRUM DIMENSION

DIA. HEIGHT
590 X 1050



slip sheet dimension = 8' X 4' x 12mm
QTY- 5 NOS

LAYER No.	QTY.
2	40
1	40
TOTAL	80



		jha				MODEL : INM- 250
REV.	DESCRIPTION	DRG.	CHKD.	APPD	OUT D.	DRG NO. TPL\S\A4\010
TIME TECHNOPLAST LTD.BOMBAY.				TITLE : STUFFING PLAN FOR INTERNATIONAL NARROW MOUTH DRUM 250 LTR. CAPACITY IN 20'CONTAINER WITH SLIP SHEET		